

PHILIPS

Model L1G30T

General Description: Six-transistor M.W./L.W. receiver also known as **Model 130T**. Four 1.5-volt penlight cells (U7, D14, T4 or V12R). Model L1G30T/15R has black and white case. Model L1G30T/15D has ivory and white case. Speaker impedance 25 ohms.

Semiconductors: (T1, 2, 3) AF117; (T4) OC81D; (T5, 6) OC81. (X1) OA70.

Alignment: I.F. 470 kc/s. (L10, L8, L6). Oscillator, L.W. 148 kc/s. (L4); M.W. 1635 kc/s. (C27). Aerial L.W. 190 kc/s. (L3/L14); M.W. 525 kc/s. (L1/L2); 1300 kc/s. (C28).

Dismantling: Sliding base provides access to battery compartment and earpiece. These can be withdrawn without entirely removing base. To uncase, remove base, batteries and earpiece. Remove screw in centre of battery compartment and gently lever two halves of case apart with fingers. To remove printed panel, extract two fixing screws, lift lower edge of panel and gently draw it towards bottom of case.

Capacitors.

C3	154 pF.
C4	56 pF.
C5	10,000 pF.
C6	22,000 pF.
C7	47,000 pF.
C8	32
C9	47,000 pF.
C13	10,000 pF.
C14	47,000 pF.
C18*	10,000 pF.
C19*	10,000 pF.

C20	82 pF.
C21	32
C22*	10,000 pF.
C23	200
C25	3.2
C26	20

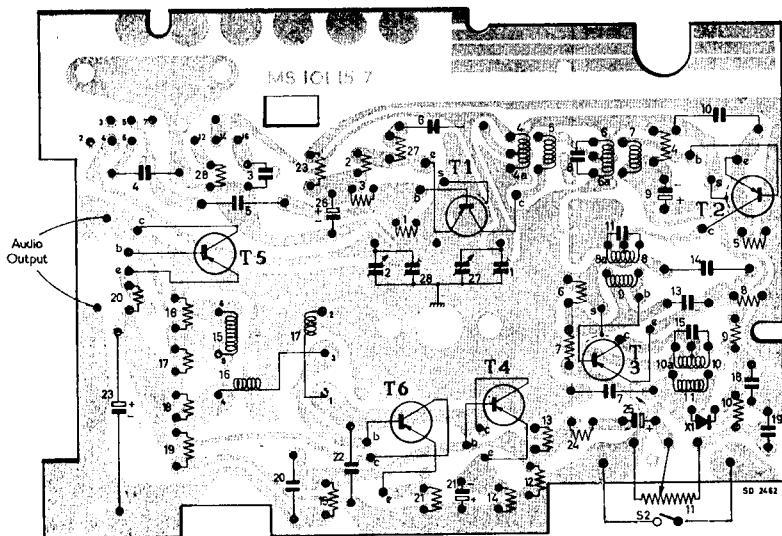
Resistors.

R1	22k
R2	1k
R3	6.8k
R4	82k

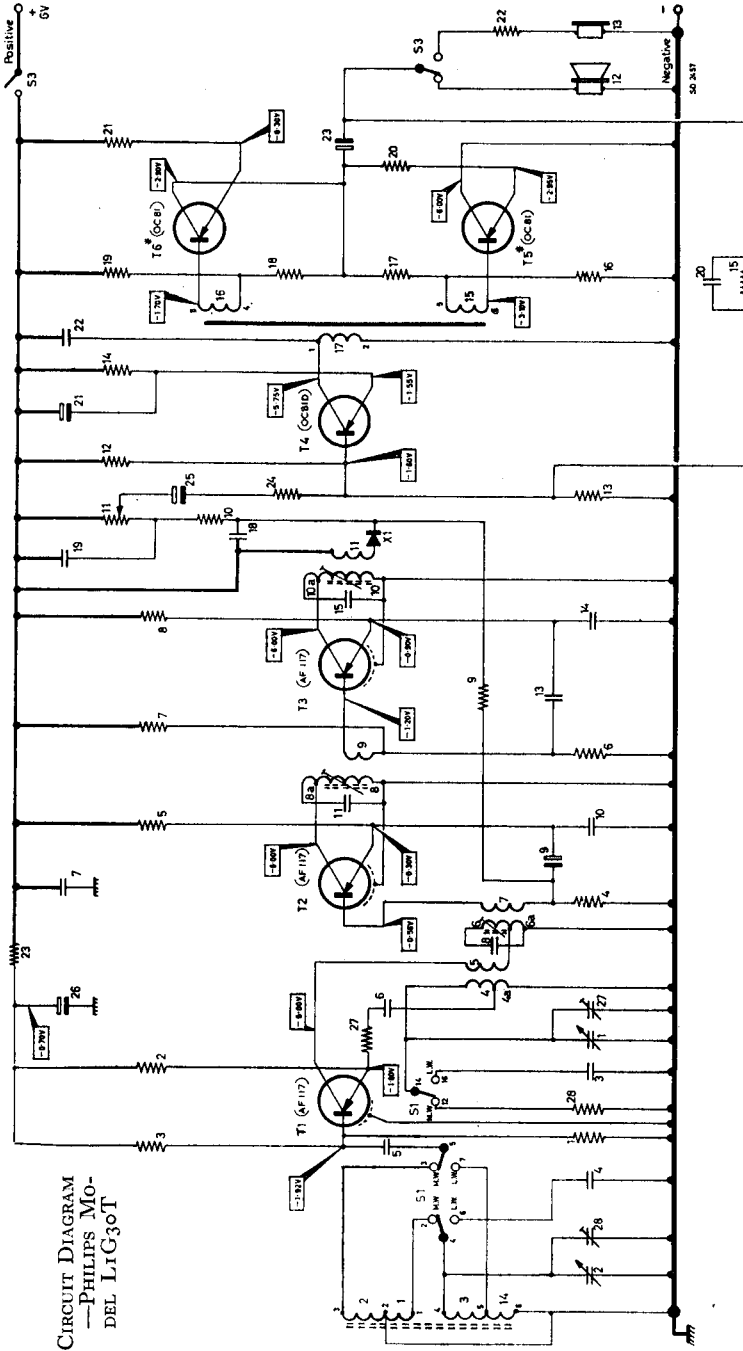
R5	470
R6	15k
R7	3.9k
R8	1k
R9	12k
R10	470
R11	5k
R12	22k
R13	47k
R14	1.5k
R15	0.39M
R16	1.5k

R17	100
R18	1.5k
R19	100
R20	4.7
R21	4.7
R22	22
R23	560
R24	820
R27	56
R28	0.18M

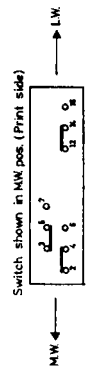
* Alternative value in some sets.



PRINTED CIRCUIT DIAGRAM—PHILIPS MODEL L1G30T



CIRCUIT DIAGRAM
—PHILIPS MO-
DEL LiG30T



* T5 & 6 must be matched.

Voltages taken, with respect to battery positive, using a 500kΩ/V meter Negative earth.

APPENDUM: THE OSC. COIL L4/4a IS CORE TUNED

*Cord-drive Diagram.
See Over-page.*

